

Dental

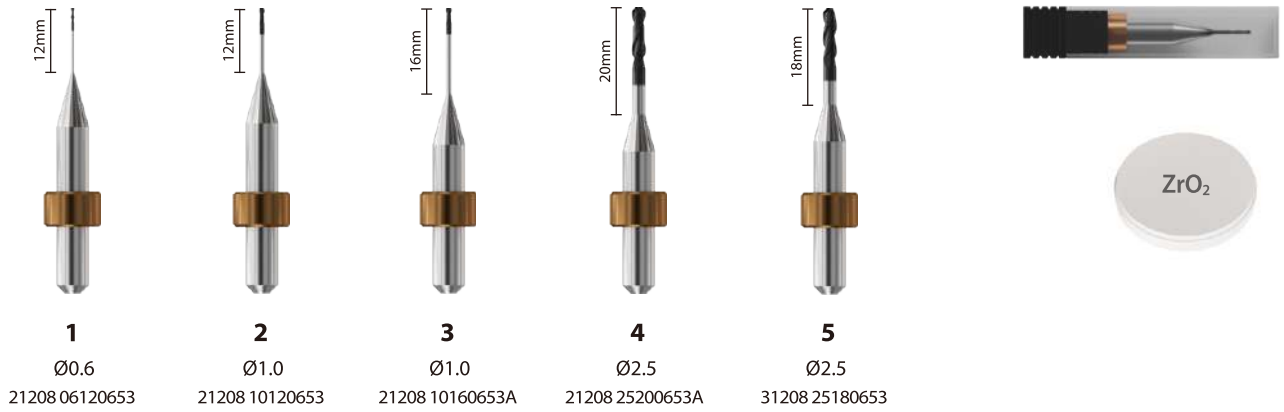
Optimized Tools for CAD-CAM Machines



 **ONEDEN**

Imes-Icore Compatible Shank 6mm - Dry Machining

Zirconia (ZrO₂)



No.	EDP	Type	Coating	Flutes	OD [mm]	LOC [mm]	LBS [mm]	SD [mm]	OAL [mm]
1	21208 06120653	Ball	DIA	2	0.6	2	12	6	53
2	21208 10120653	Ball	DIA	2	1.0	2	12	6	53
3	21208 10160653A	Ball	DIA	2	1.0	2	16	6	53
4	21208 25200653A	Ball	DIA	2	2.5	9	20	6	53
5	31208 25180653	Ball	DIA	3	2.5	9	18	6	53

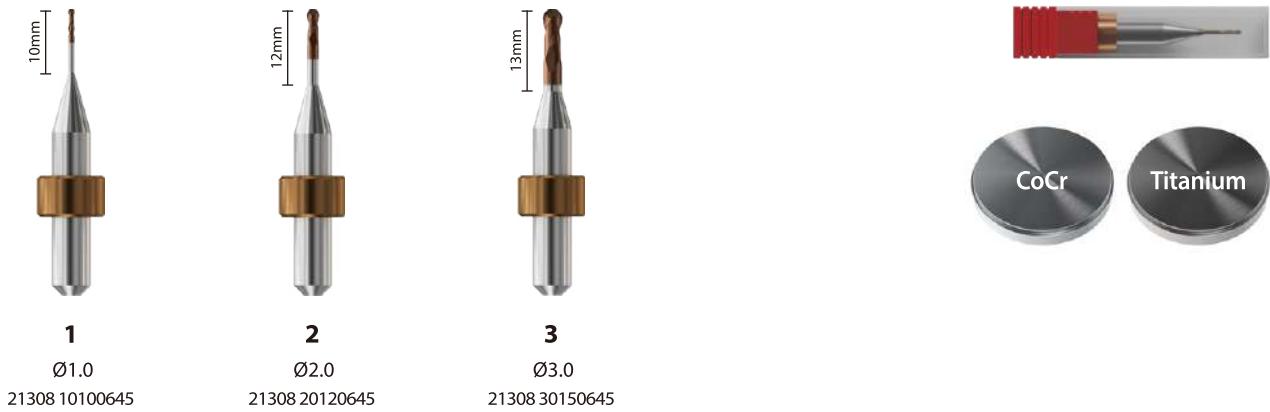
PMMA / WAX / PEEK



No.	EDP	Type	Coating	Flutes	OD [mm]	LOC [mm]	LBS [mm]	SD [mm]	OAL [mm]
1	11008 10160648	Ball	Uncoated	1	1.0	6	16	6	48
2	11008 25180648	Ball	Uncoated	1	2.5	6	18	6	48

Imes-Core Compatible Shank 6mm

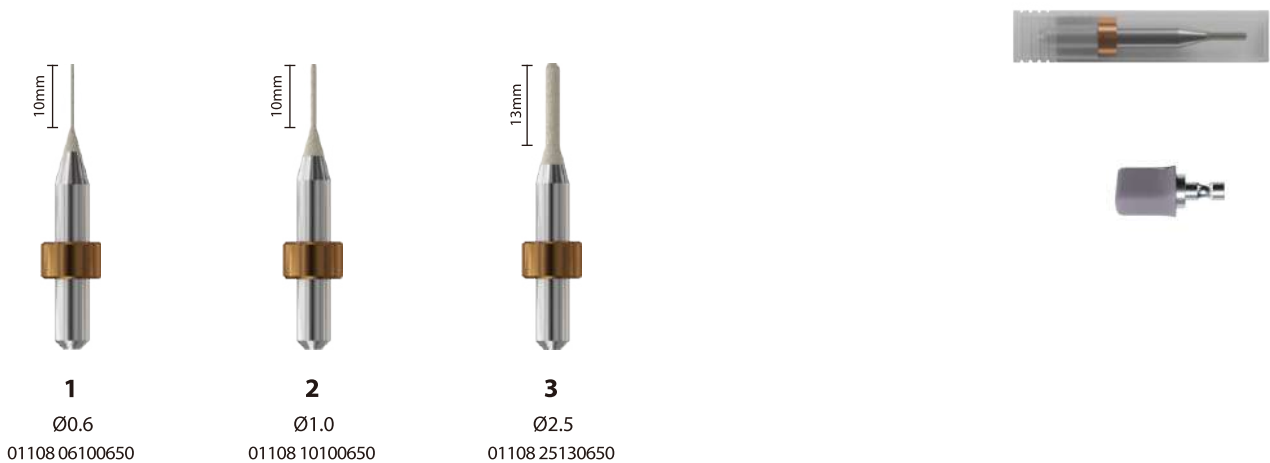
Cobalt Chrome / Titanium



No.	EDP	Type	Coating	Flutes	OD [mm]	LOC [mm]	LBS [mm]	SD [mm]	OAL [mm]
1	21308 10100645	Ball	TS	2	1.0	3	10	6	45
2	21308 20120645	Ball	TS	2	2.0	3.5	12	6	45
3	21308 30150645	Ball	TS	2	3.0	6	15	6	45

Imes-Core Compatible - Wet Machining

Glass Ceramics



No.	EDP	Type	Coating	Flutes	OD [mm]	LOC [mm]	LBS [mm]	SD [mm]	OAL [mm]
1	01108 06100650	Ball	EL-DIA	N/A	0.6	10	10	6	50
2	01108 10100650	Ball	EL-DIA	N/A	1.0	10	10	6	50
2	01108 25130650	Ball	EL-DIA	N/A	2.5	13	13	6	50

Imes-Core Compatible Shank 3mm - Dry Machining

Zirconia (ZrO₂)



1

Ø0.6

21208 06200348



2

Ø1.0

21208 10160348



3

Ø2.5

21208 25200348



No.	EDP	Type	Coating	Flutes	OD [mm]	LOC [mm]	LBS [mm]	SD [mm]	OAL [mm]
1	21208 06200348	Ball	DIA	2	0.6	4	20	3	48
2	21208 10160348	Ball	DIA	2	1.0	4.4	16	3	48
3	21208 25200348	Ball	DIA	2	2.5	6	20	3	48

Imes-Core Compatible - Wet Machining

Glass Ceramics



1

Ø0.6

01108 06100340



2

Ø1.0

01108 10100340



3

Ø2.5

01108 25130340



No.	EDP	Type	Coating	Flutes	OD [mm]	LOC [mm]	LBS [mm]	SD [mm]	OAL [mm]
1	01108 06100340	Ball	EL-DIA	N/A	0.6	10	10	3	40
2	01108 10100340	Ball	EL-DIA	N/A	1.0	10	10	3	40
2	01108 25130340	Ball	EL-DIA	N/A	2.5	13	13	3	40