



# Dental

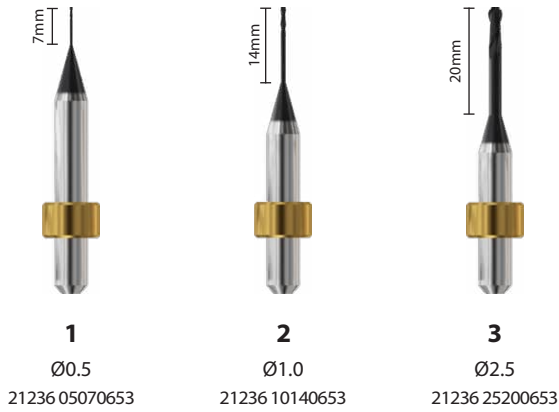
Optimized Tools for CAD-CAM Machines



 **ONEDEN**

## Ivoclar PM7 Compatible - Dry Machining

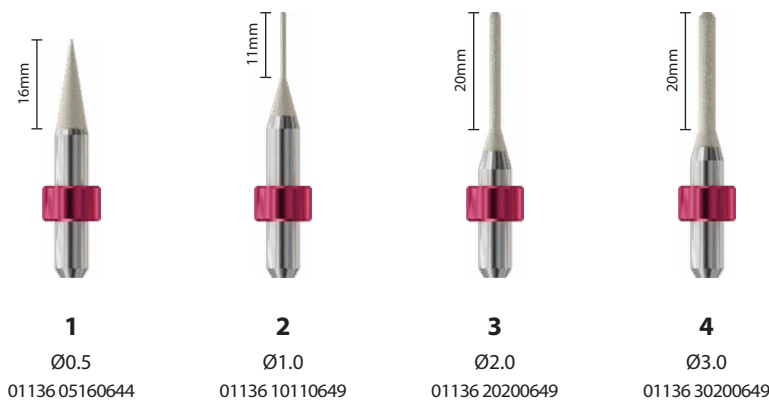
### Zirconia (ZrO<sub>2</sub>)



No.	EDP	Type	Coating	Flutes	OD [mm]	LOC [mm]	LBS [mm]	SD [mm]	OAL [mm]
1	21236 05070653	Ball	DIA	2	0.5	2	7	6	53
2	21236 10140653	Ball	DIA	2	1.0	4	14	6	53
3	21236 25200653	Ball	DIA	2	2.5	6	20	6	53

## Ivoclar PM7 Compatible - Wet machining

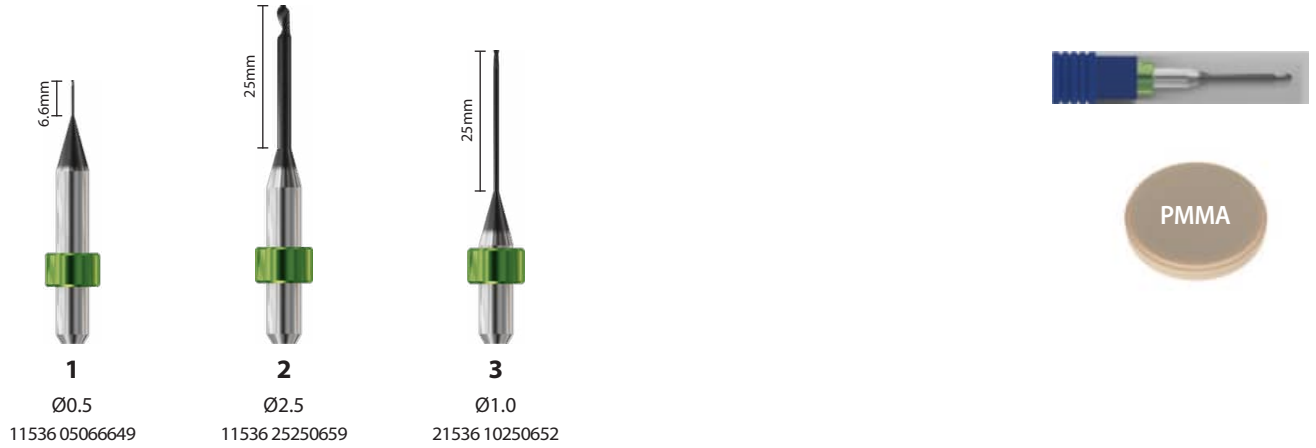
### Glass Ceramics



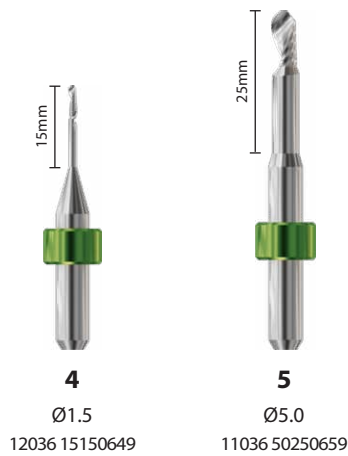
No.	EDP	Type	Coating	Flutes	OD [mm]	LOC [mm]	LBS [mm]	SD [mm]	OAL [mm]
1	01136 05160644	Ball	EL-DIA	0	0.5	16	16	6	44
2	01136 10110649	Ball	EL-DIA	0	1.0	11	11	6	49
3	01136 20200649	Ball	EL-DIA	0	2.0	20	20	6	49
4	01136 30200649	Ball	EL-DIA	0	3.0	20	20	6	49

# Ivoclar PM7 Compatible - Dry Machining

## PMMA



No.	EDP	Type	Coating	Flutes	OD [mm]	LOC [mm]	LBS [mm]	SD [mm]	OAL [mm]
1	11536 05066649	Ball	S-DLC	1	0.5	1	6.6	6	49
2	11536 25250659	Ball	S-DLC	1	2.5	5	25	6	59
3	21536 10250652	Ball	S-DLC	2	1.0	2	25	6	52



No.	EDP	Type	Coating	Flutes	OD [mm]	LOC [mm]	LBS [mm]	SD [mm]	OAL [mm]
4	12036 15150649	Flat	Uncoated	1	1.5	6	15	6	49
5	11036 50250659	Ball	Uncoated	1	5.0	10	25	6	59



47-2 Cheongnong-ro Bupueong-gu, Incheon, South Korea

✉ oneden@oneden.kr

☎ +82 32 513 2344

☎ +82 32 724 4340

<https://www.oneden.kr>

